

MODEL NO.

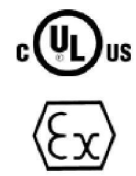
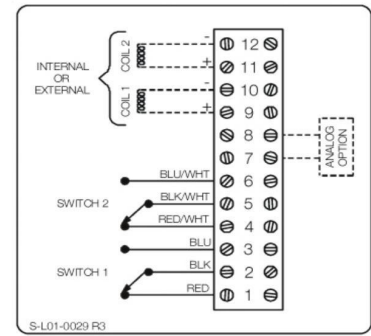
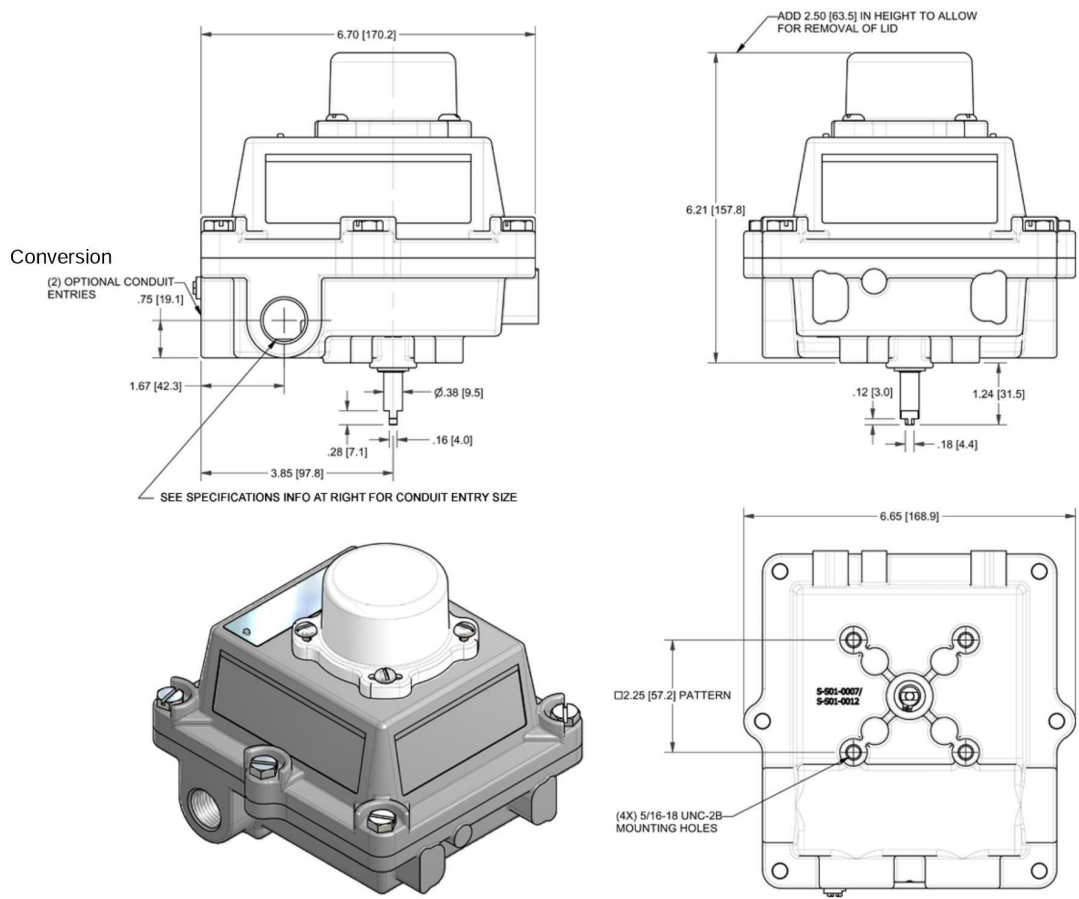
# DXP-M21GNES

PRODUCT LINE

## Valvetop Discrete Valve Controller

SPECIFICATIONS

- Model** Valvetop Model DXP - A360 Epoxy Coated Aluminum Enclosure with Dichromate Coating; Type 4x; IP66/67
- Bus / Sensor** (2) Mech SPDT switches (15A@125VAC / 0.5A@125VDC)
- Area Classification** Flame Proof/Exp. Proof; Cl I Div 1, Grps C,D; Cl I Div 2, Grps A-D; ATEX/IECEX II2G, II2GD; Ex d IIB + H2; Ex tb IIIC Db, IP66/67; Type 4X (Orings must be S 'Silicone' or E 'EPDM' for dust certification)
- Visual Display** 90° Green (open) Red (closed) indicator
- Shaft** 304 stainless steel Namur shaft
- Conduit Entries** (2) 3/4" NPT conduit entries
- O-Rings** Silicone o-rings
- Operating Temps\*** -40 °C to 80 °C



S-L01-0029 R3